

## FEATURES

- Relaxing infrared escape for 1 person
- Full glass front provides a sleek, open look
- Crafted from beautiful, durable Canadian Hemlock
- Heated slatted floor adds soothing warmth
- Soft, soothing ambient LED lighting creates the perfect atmosphere
- 7 wall-to-wall, low-EMF Far-Infrared carbon fiber heaters deliver warmth from head to toe
- Smart LCD panel for effortless control
- Quick, efficient preheating process
- Energy-saving design and low power consumption
- Immersive Bluetooth sound system for your favorite music/podcasts



## SPECIFICATIONS

**Model:** FIERA IR 100

**Capacity:** 1 Person

**Wood:** Canadian Hemlock

**Voltage:** 120v

**Lighting:** LED Spotlight

**Lighting Placement:** Overhead

**Flooring:** Heated Canadian Hemlock slatted floor

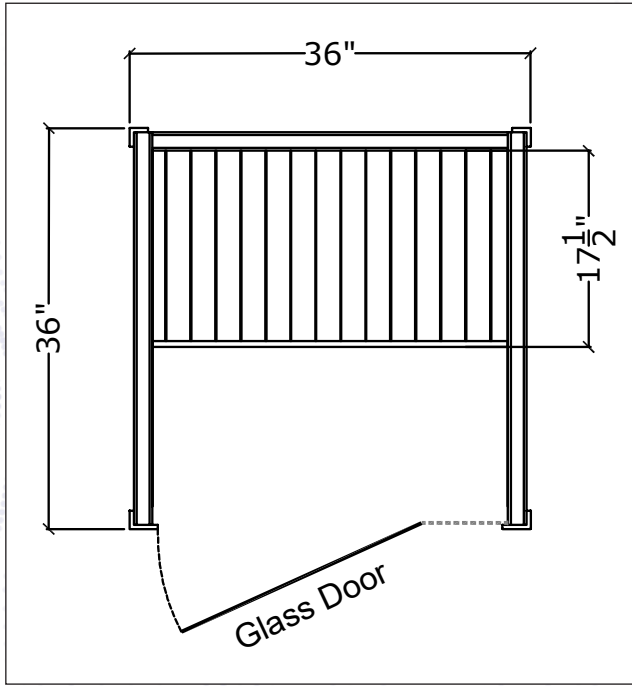
**Dimensions (approx.):**

W: 36" x D: 36" x H: 75"

**Heater and Control Options:**

Carbon Heater | LCD Control Panel

## DIMENSIONS (O.D.)



## FIERA IR 200

## FINSAUNA

### FEATURES

- Relaxing infrared escape for up to 2
- Full glass front provides a sleek, open look
- Crafted from beautiful, durable Canadian Hemlock
- Heated slatted floor adds soothing warmth
- Soft, soothing ambient LED lighting creates the perfect atmosphere
- 7 wall-to-wall, low-EMF Far-Infrared carbon fiber heaters deliver warmth from head to toe
- Smart LCD panel for effortless control
- Quick, efficient preheating process
- Energy-saving design and low power consumption
- Immersive Bluetooth sound system for your favorite music/podcasts



### SPECIFICATIONS

**Model:** FIERA IR 200

**Capacity:** Up to 2 People

**Wood:** Canadian Hemlock

**Voltage:** 120v

**Lighting:** LED Ceiling

**Lighting Placement:** Overhead

**Flooring:** Heated Canadian Hemlock slatted floor

**Dimensions (approx.):**

W: 48" x D: 42" x H: 75"

**Heater and Control Options:**

Carbon Heater | LCD Control Panel

## DIMENSIONS (O.D.)

